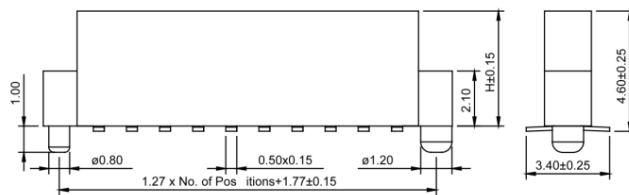
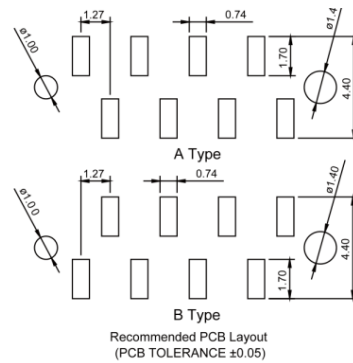
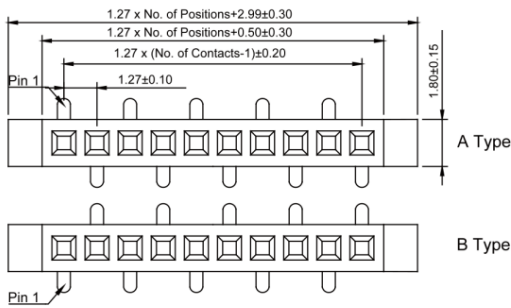
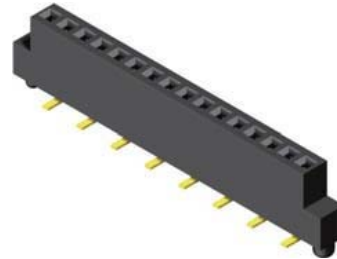


Female Header 1.27mm 1 Row H=3.4mm SMT Type



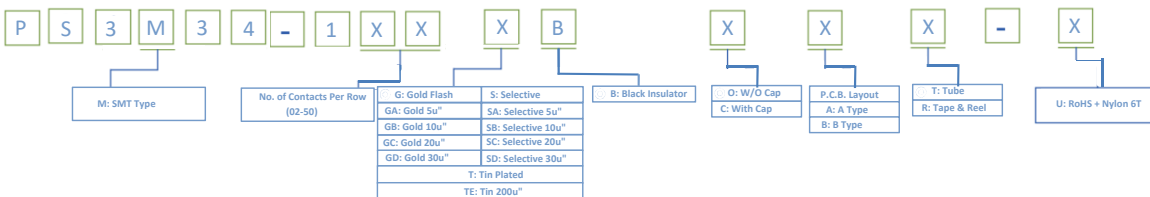
Specifications
 Current Rate:1 AMP
 Insulation Resistance:1000MΩ Min.
 Contact Resistance:20mΩ Max.
 Dielectric Voltage:500V AC for one minute
 Operation Temperature:-40°C to +105°C

Material
 Insulator:Hi-Temp. Thermoplastic, UL 94V-0
 Terminal:Copper Alloy
 Plating:Gold Plated



Part No.:PS3M34-1XX-U

ORDER INFORMATION



Ⓞ:Standard Recommend